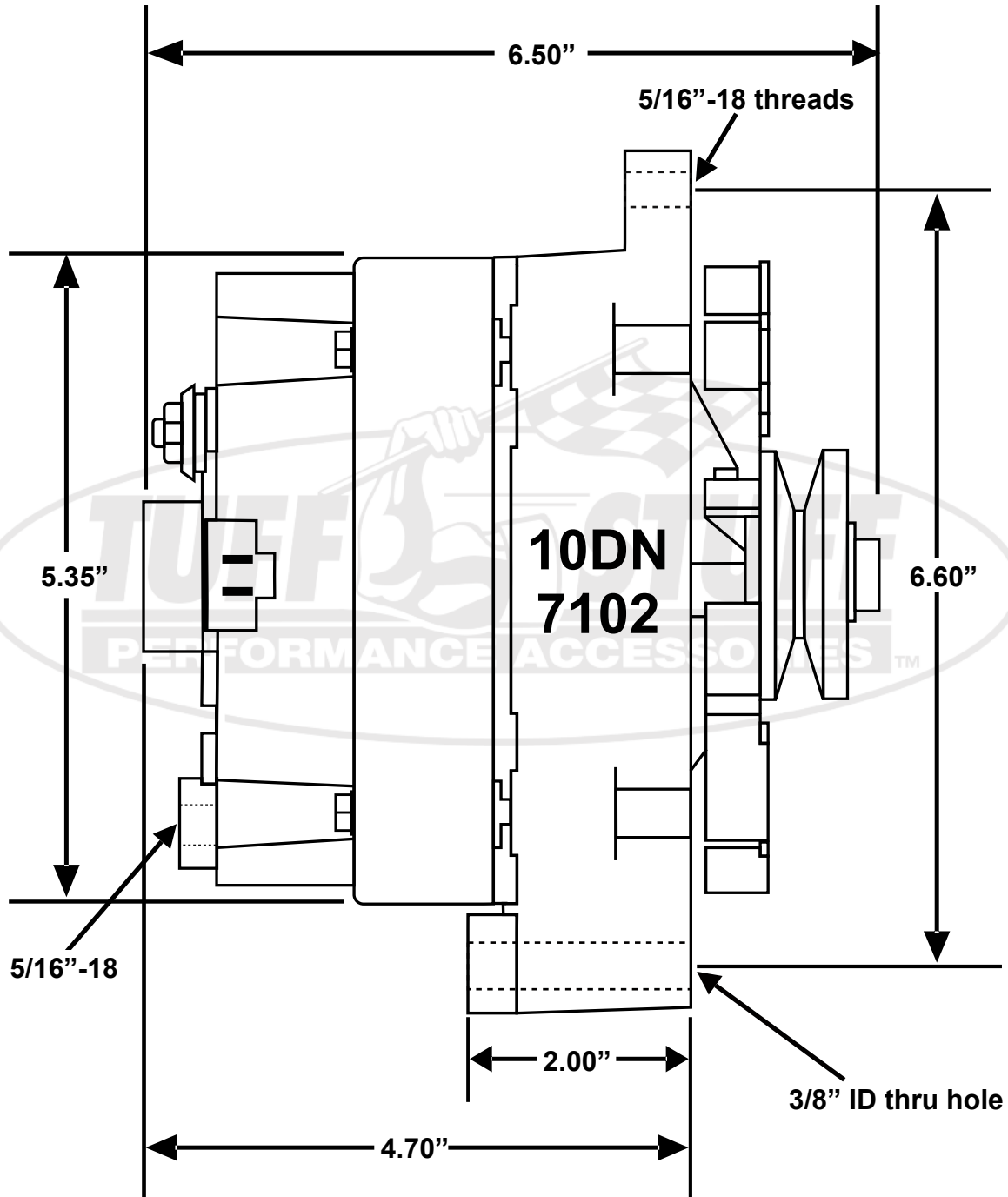




7102 10DN ALTERNATOR DIMENSIONS



Bullet nose option add 0.920" to overall width.