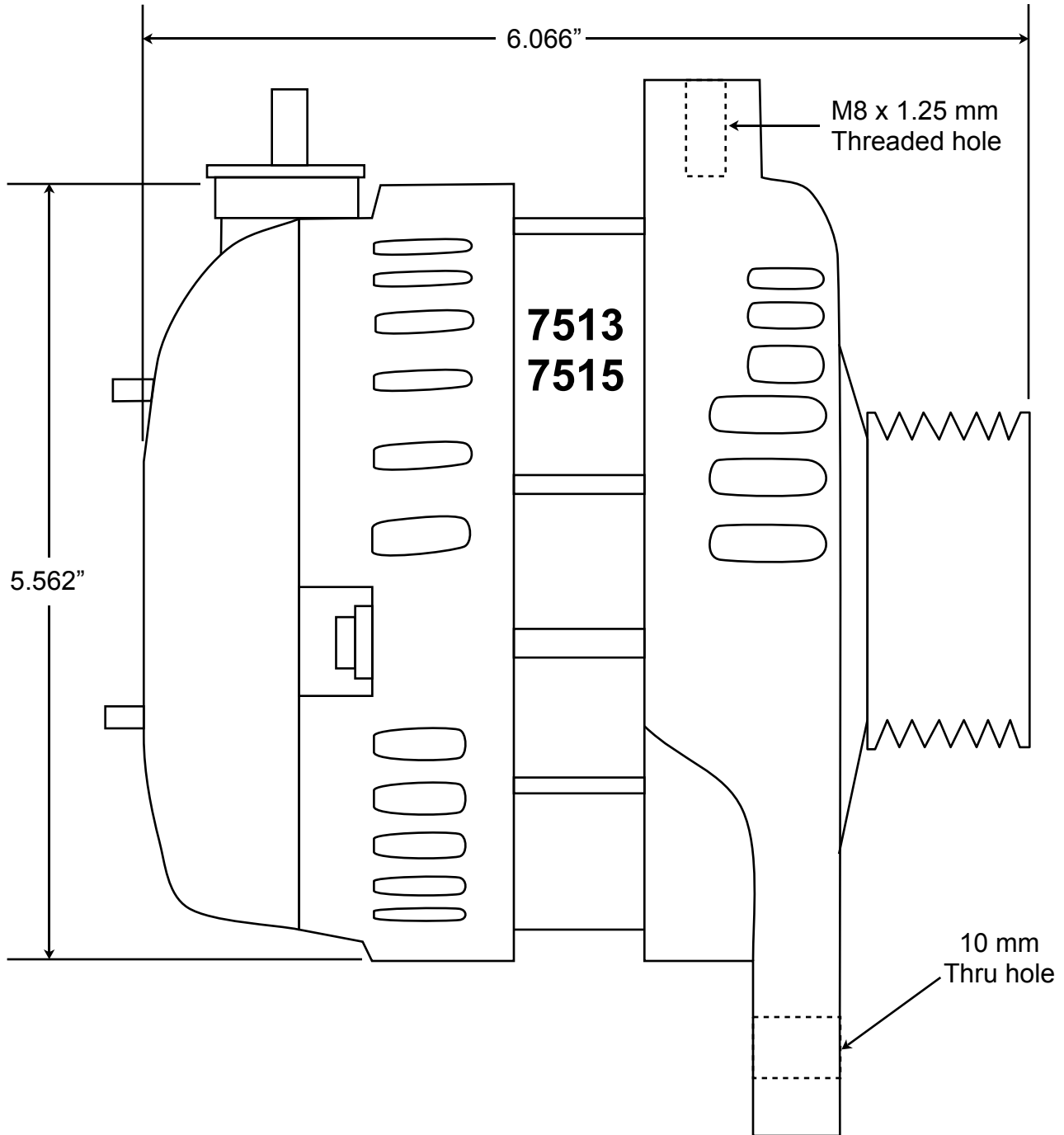


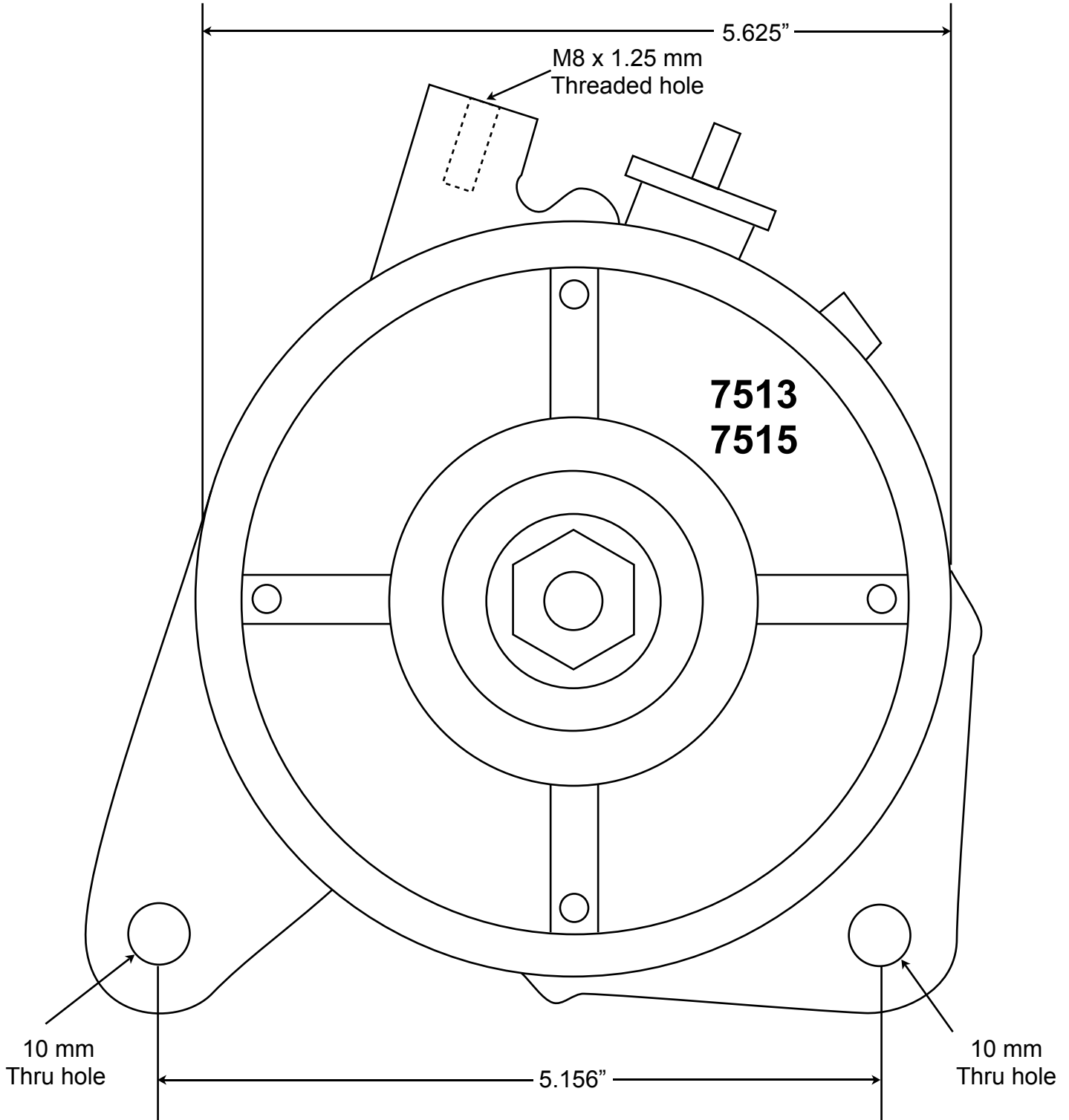


7513 & 7515 ALTERNATOR DIMENSIONS





7513 & 7515 ALTERNATOR DIMENSIONS





7513 & 7515 ALTERNATOR DIMENSIONS

M8 x 1.25 mm
Threaded hole

