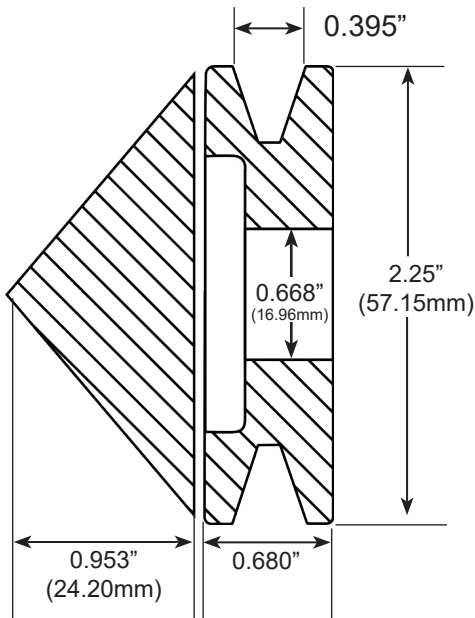




ALTERNATOR PULLEY DIMENSIONS

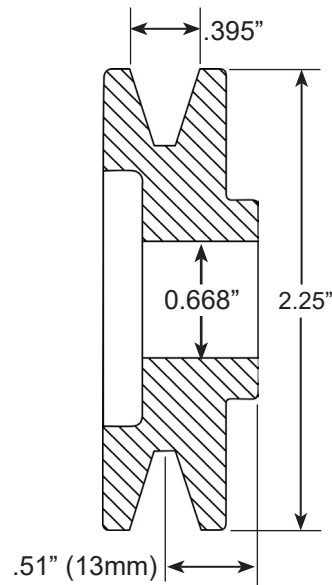
Bolt-on Steel Pulleys

All Tuff Stuff alternators except Chrysler or where otherwise noted



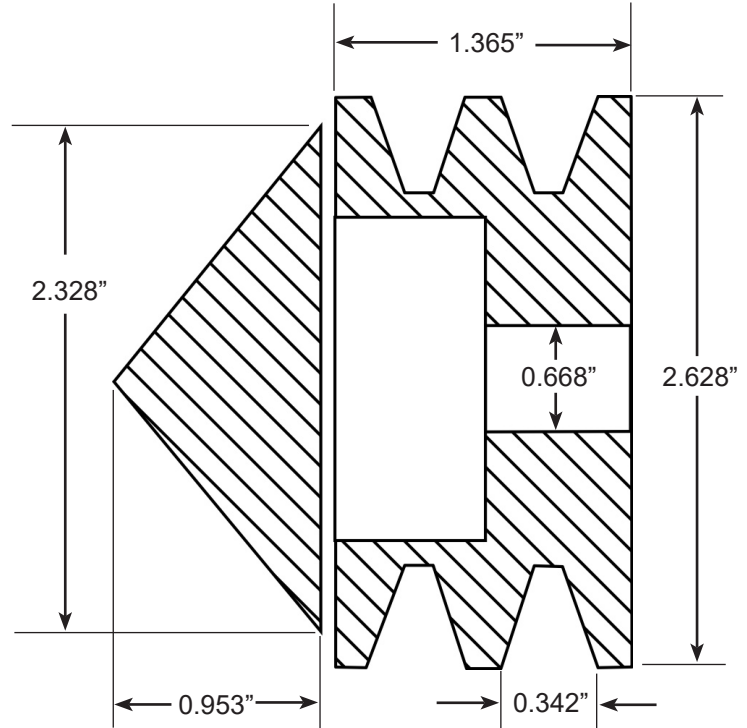
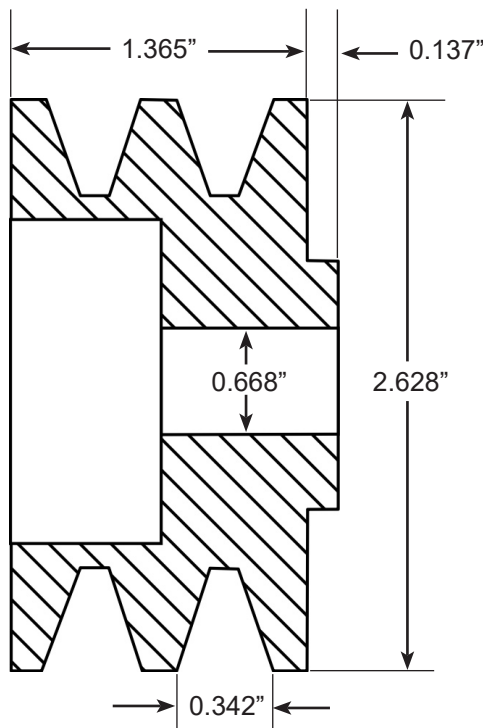
Legacy/Original Bolt-on Steel Pulleys

All Tuff Stuff alternators with Cast PLUS+ or powder coat finish, except Chrysler or where otherwise noted



Chrome Plated 2G Steel Pulley - Bolt-on

All Tuff Stuff alternators except Chrysler



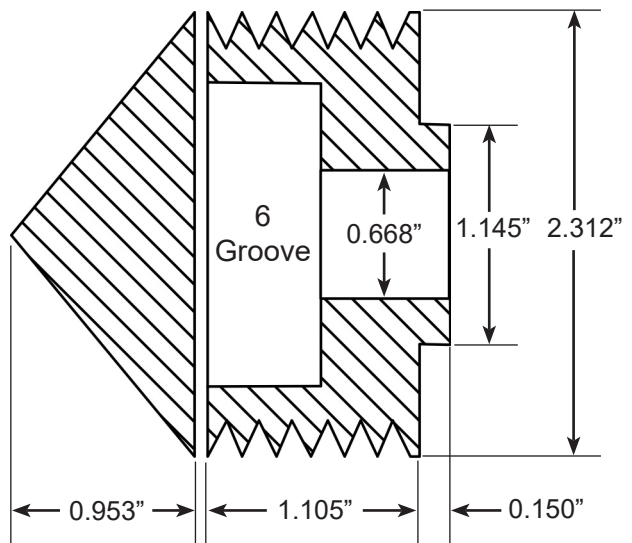
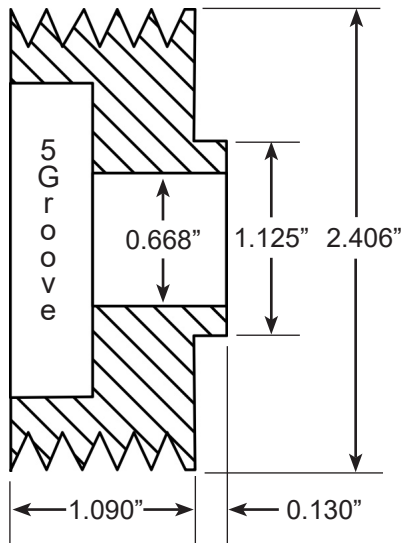


ALTERNATOR PULLEY DIMENSIONS

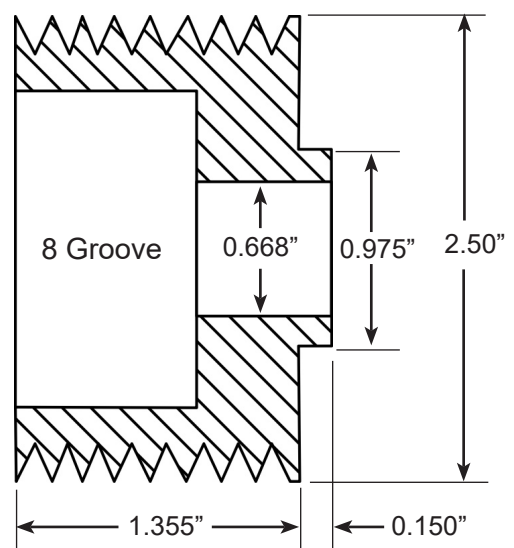
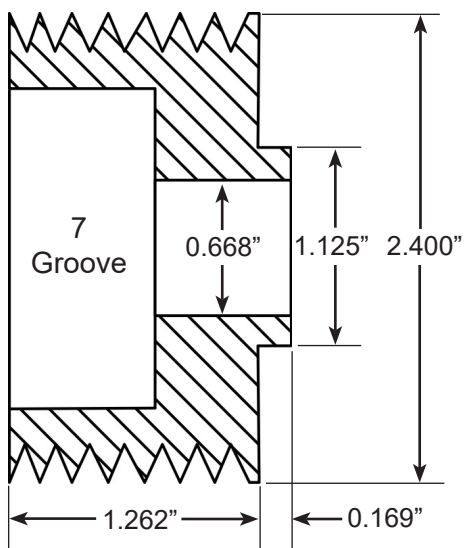
Note that bullet nose pulley kits with a billet aluminum fan use a flat back pulley. All other pulleys have a raised back.

Bolt-on Chrome Plated Steel Pulleys

All Tuff Stuff alternators except with Cast PLUS+ finish or Chrysler



Add 0.953" for Bullet Nose length

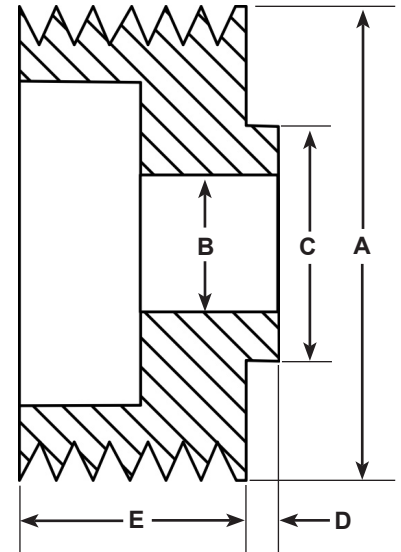




ALTERNATOR PULLEY DIMENSIONS

SPECIFIC FIT 6 GROOVE PULLEYS

| | A | B | C | D | E |
|-----------------|------------------|-----------------|---------------|------------|--------------|
| 6 Groove Pulley | Outside Diameter | Inside Diameter | Boss Diameter | Boss Width | Pulley Width |
| 7781 | 2.500" | 0.668" | 0.943" | 0.250" | 1.042" |
| 8219 | 2.366" | 0.668" | 1.133" | 0.125" | 1.088" |
| 8252 | 2.085" | 0.668" | 0.965" | 0.250" | 1.134" |
| CS130D & AD244 | 2.200" | 0.668" | 1.150" | 0.132" | 1.043" |



Chrysler 1Groove and 2Groove Steel Pulleys - Press-on

